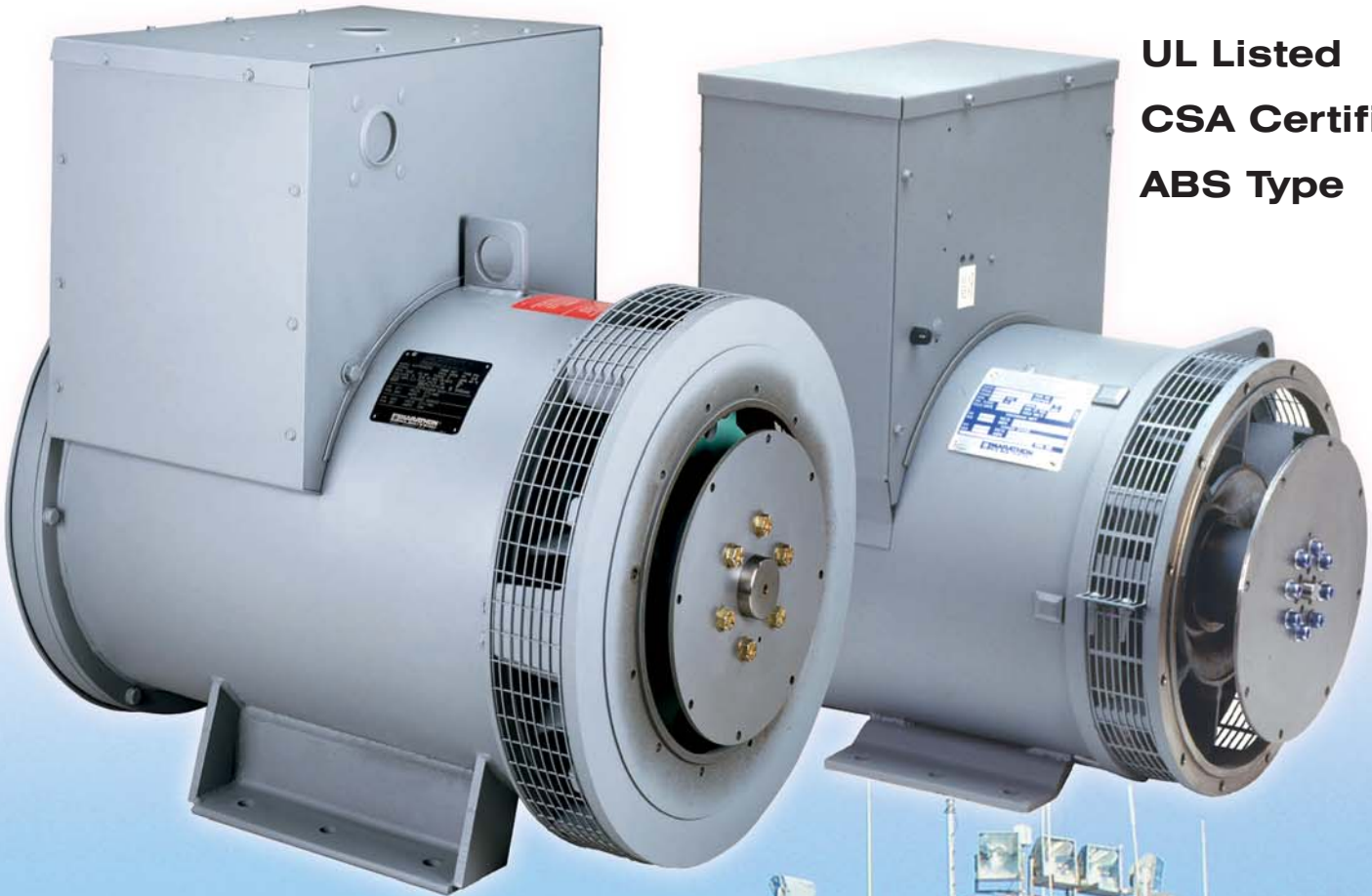


MARATHON *MARINER* Heavy Duty Generators

Dependable Power for the Harshest Applications



UL Listed
CSA Certified
ABS Type

 **MARATHON[®]**
ELECTRIC

A REGAL-BELOIT Company



MARATHON MARINER

Heavy Duty Generators

With over 50 years of experience in the marine generator marketplace, Marathon understands the unique needs of marine and heavy duty applications. That knowledge and experience have been applied to the development of the new **Marathon Mariner** product line.

To insure long life and reliability that marine and other applications demand, the **Marathon Mariner** features a heavy duty rectifier assembly designed to handle extreme voltage transient surges and over-current situations (over-sized diodes and surge suppressors are included for extreme voltage transient surges). Windings have also been reinforced to handle the harshness of

salt-laden, marine applications. Proven wrappings and polybutadiene overcoat used in crane duty and reefer applications have been applied to the design.

In addition, the **Marathon Mariner** is ideal for the motion picture industry – which requires generators that can sustain intense voltage transient surges for movie set lighting and special effects like simulated lightning.



The **Marathon Mariner** is the ideal choice for heavy duty industrial applications.

Optional Features Available:

PMG / DVR®2000E This system offers excitation protection by supplying a minimum short circuit support current of 300% of the rating for 10 seconds. Highly recommended for ABS type (non-certified) units.

Dripcover IP22 and IP23 available.

Space Heaters 240/120 Volt, 250 watt.



kW ratings

MARATHON
MARINER
 Heavy Duty Generators
60 Hertz
 Three Phase
 12 Leads
 Class H Insulation

- **1800 RPM**
- 0.8 Power Factor Lagging

50°C Ambient

Base Model	Net Wt. (lbs)	No. Of Leads	Std AVR	kW Ratings		
				208Y - 240D Cont. 95°C R/R	450Y Cont. 95°C R/R	480Y Cont. 95°C R/R
361PSL3120	518	12	SE350	37	40	41
361PSL3121	569	12	SE350	46	48	50
361PSL3122	620	12	SE350	55	58	60
362PSL3124	706	12	SE350	67	70	77
362PSL3126	796	12	SE350	82	83	83
363PSL3127	943	12	SE350	105	110	115
431PSL6252	1220	12	SE350	133	135	135
431PSL6254	1310	12	SE350	156	160	160
431PSL6256	1415	12	SE350	183	190	186
431PSL6258	1455	12	SE350	195	198	200
432PSL6260	1685	12	SE350	245	245	245
432PSL6262	1760	12	SE350	245	255	260
433PSL6266	2235	12	SE350	325	325	321
433PSL6270	2245	12	SE350	345	355	352

kW ratings

MARATHON
MARINER
 Heavy Duty Generators
60 Hertz
 Three Phase
 12 Leads
 Class H Insulation

- **1800 RPM**
- 0.8 Power Factor Lagging

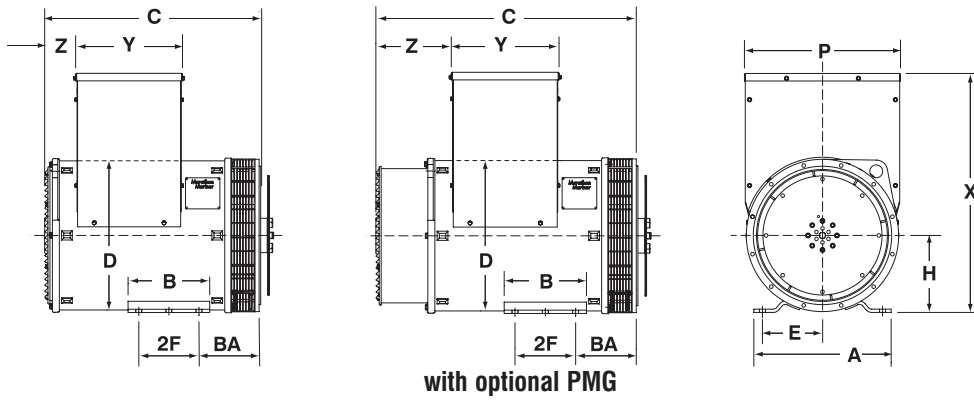
40°C Ambient

Base Model	Net Wt. (lbs)	No. Of Leads	Std AVR	kW Ratings		
				208Y - 240D Cont. 80°C R/R	450Y Cont. 80°C R/R	480Y Cont. 80°C R/R
361PSL3120	518	12	SE350	35	37	40
361PSL3121	569	12	SE350	45	48	49
361PSL3122	620	12	SE350	53	55	58
362PSL3124	706	12	SE350	65	68	75
362PSL3126	796	12	SE350	80	80	80
363PSL3127	943	12	SE350	100	105	110
431PSL6252	1220	12	SE350	125	125	125
431PSL6254	1310	12	SE350	142	143	143
431PSL6256	1415	12	SE350	170	170	165
431PSL6258	1455	12	SE350	176	180	180
432PSL6260	1685	12	SE350	220	220	220
432PSL6262	1760	12	SE350	225	227	230
433PSL6266	2235	12	SE350	290	285	280
433PSL6270	2245	12	SE350	315	315	310

Dimensions in inches and (millimeters)



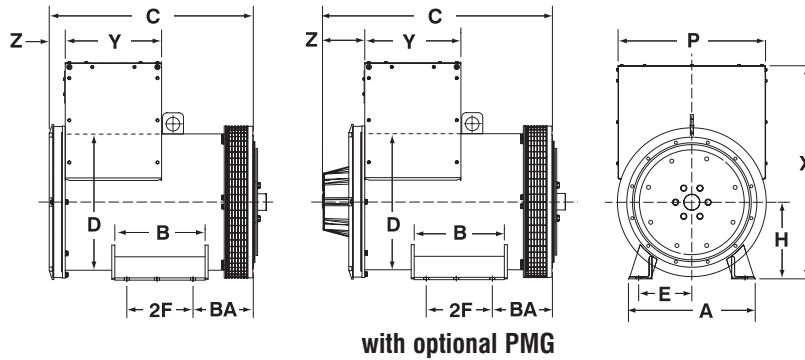
**361
362
363**
Frame



FRAME SIZE	A	B	BA	C	D	E	2F	H	P	X	Y	Z
361	16.00 (406)	9.50 (241)	7.00 (178)	25.12 (638)	17.35 (441)	7.00 (178)	7.00 (178)	9.00 (229)	18.19 (462)	27.85 (707)	12.44 (316)	3.77 (96)
361 PMG	16.00 (406)	9.50 (241)	7.00 (178)	30.06 (764)	17.35 (441)	7.00 (178)	7.00 (178)	9.00 (229)	18.19 (462)	27.85 (707)	12.44 (316)	8.70 (221)
362	16.00 (406)	9.50 (241)	7.00 (178)	28.75 (730)	17.35 (441)	7.00 (178)	7.00 (178)	9.00 (229)	18.19 (462)	27.85 (707)	12.44 (316)	3.77 (96)
362 PMG	16.00 (406)	9.50 (241)	7.00 (178)	33.68 (855)	17.35 (441)	7.00 (178)	7.00 (178)	9.00 (229)	18.19 (462)	27.85 (707)	12.44 (316)	8.70 (221)
363	16.00 (406)	9.50 (241)	10.50 (267)	31.88 (810)	17.35 (441)	7.00 (178)	7.00 (178)	9.00 (229)	18.19 (462)	27.85 (707)	12.44 (316)	3.77 (96)
363 PMG	16.00 (406)	9.50 (241)	10.50 (267)	36.80 (935)	17.35 (441)	7.00 (178)	7.00 (178)	9.00 (229)	18.19 (462)	27.85 (707)	12.44 (316)	8.70 (221)

Please Note: Connection boxes shown are furnished as standard product. Consult factory for optional connection boxes.

**431
432
433**
Frame



FRAME SIZE	A	B	BA	C	D	E	2F	H	P	X	Y	Z
431	21.46 (545)	15.00 (381)	10.00 (254)	33.89 (861)	22.64 (575)	9.00 (229)	11.00 (279)	13.00 (330)	24.44 (621)	36.10 (917)	16.00 (406)	2.66 (68)
431 PMG	21.46 (545)	15.00 (381)	10.00 (254)	38.27 (972)	22.64 (575)	9.00 (229)	11.00 (279)	13.00 (330)	24.44 (621)	36.10 (917)	16.00 (406)	7.04 (179)
432	21.46 (545)	15.00 (381)	10.00 (254)	37.39 (950)	22.64 (575)	9.00 (229)	11.00 (279)	13.00 (330)	24.44 (621)	36.10 (917)	16.00 (406)	2.66 (68)
432 PMG	21.46 (545)	15.00 (381)	10.00 (254)	41.77 (1061)	22.64 (575)	9.00 (229)	11.00 (279)	13.00 (330)	24.44 (621)	36.10 (917)	16.00 (406)	7.04 (179)
433	21.46 (545)	15.00 (381)	10.00 (254)	42.39 (1077)	22.64 (575)	9.00 (229)	11.00 (279)	13.00 (330)	24.44 (621)	36.10 (917)	16.00 (406)	2.66 (68)
433 PMG	21.46 (545)	15.00 (381)	10.00 (254)	46.77 (1188)	22.64 (575)	9.00 (229)	11.00 (279)	13.00 (330)	24.44 (621)	36.10 (917)	16.00 (406)	7.04 (179)

Please Note: Connection boxes shown are furnished as standard product. Consult factory for optional connection boxes.



**RUNS.
AND RUNS.
AND RUNS.
AND RUNS.**



A REGAL-BELOIT Company

100 East Randolph Street • P.O. Box 8033
Wausau, WI 54402-8033 U.S.A.

www.marathonelectric.com

715/675-3359 • Fax 715/675-8026